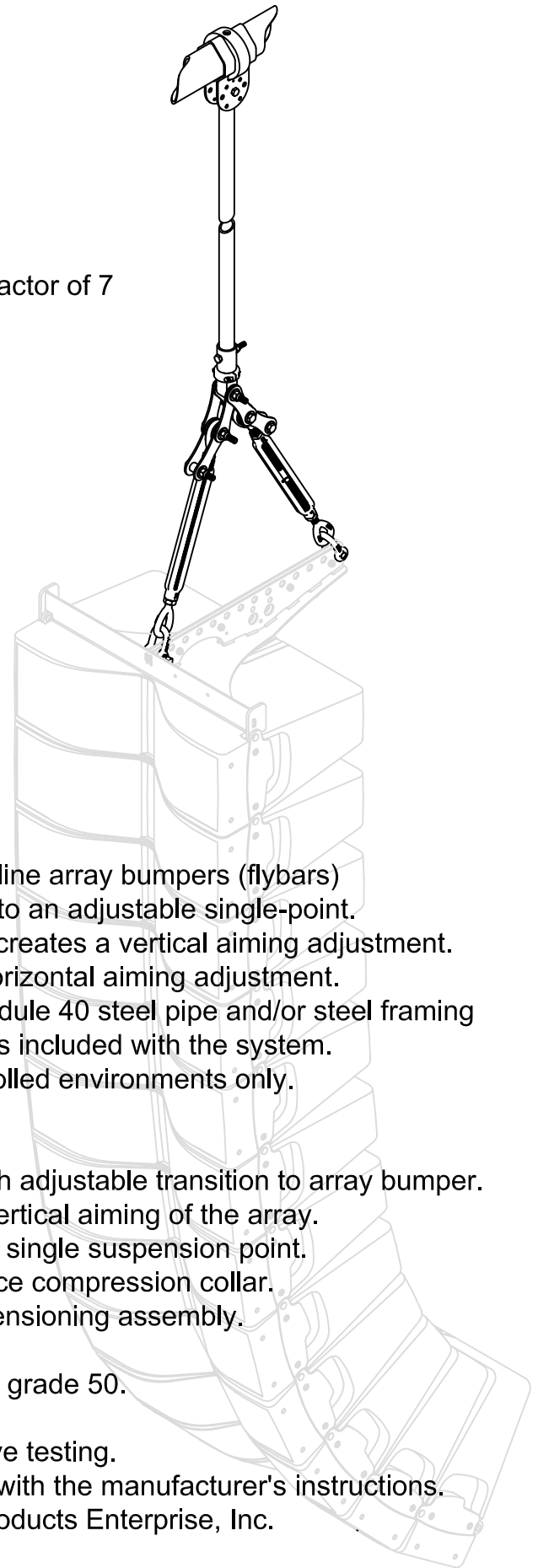


# BUMPER Boost™

Line Array Bumper Accessory

- 1000 pound Working Load Limit with a minimum safety factor of 7
- Vertical and Horizontal array aiming under load
- Integrated pick points for hoist

[www.aperigging.com](http://www.aperigging.com)



## DESCRIPTION

BUMPER Boost™ is an adjustable transition assembly for line array bumpers (flybars). It enables a transition from two fixed points on the bumper to an adjustable single-point. Adjusting the leg lengths forming the transition, effectively creates a vertical aiming adjustment. A swivel in line with the single suspension point enables horizontal aiming adjustment. The system is used in conjunction with user-provided schedule 40 steel pipe and/or steel framing systems like Unistrut. A safety cable tensioning assembly is included with the system. APE systems are intended for indoor, non corrosive, controlled environments only.

## A & E SPECIFICATIONS

The line array suspension system shall be single-point, with adjustable transition to array bumper. Adjustable leg lengths forming the transition shall control vertical aiming of the array. Horizontal array aiming shall be via a swivel in line with the single suspension point. The swivel, once adjusted, shall be lockable with a two piece compression collar. Slack in safety cable shall be removed using an included tensioning assembly. Its machined components shall be AISI 1018 CF steel. Its sheet metal components shall be ASTM A-1011 HSLAS grade 50. All cap screws shall be grade 8 minimum. All published load ratings shall be established by destructive testing. The system shall be fitted to the array in strict accordance with the manufacturer's instructions. The system shall be a BUMPER Boost™ by Advantage Products Enterprise, Inc.

# BUMPER Boost™

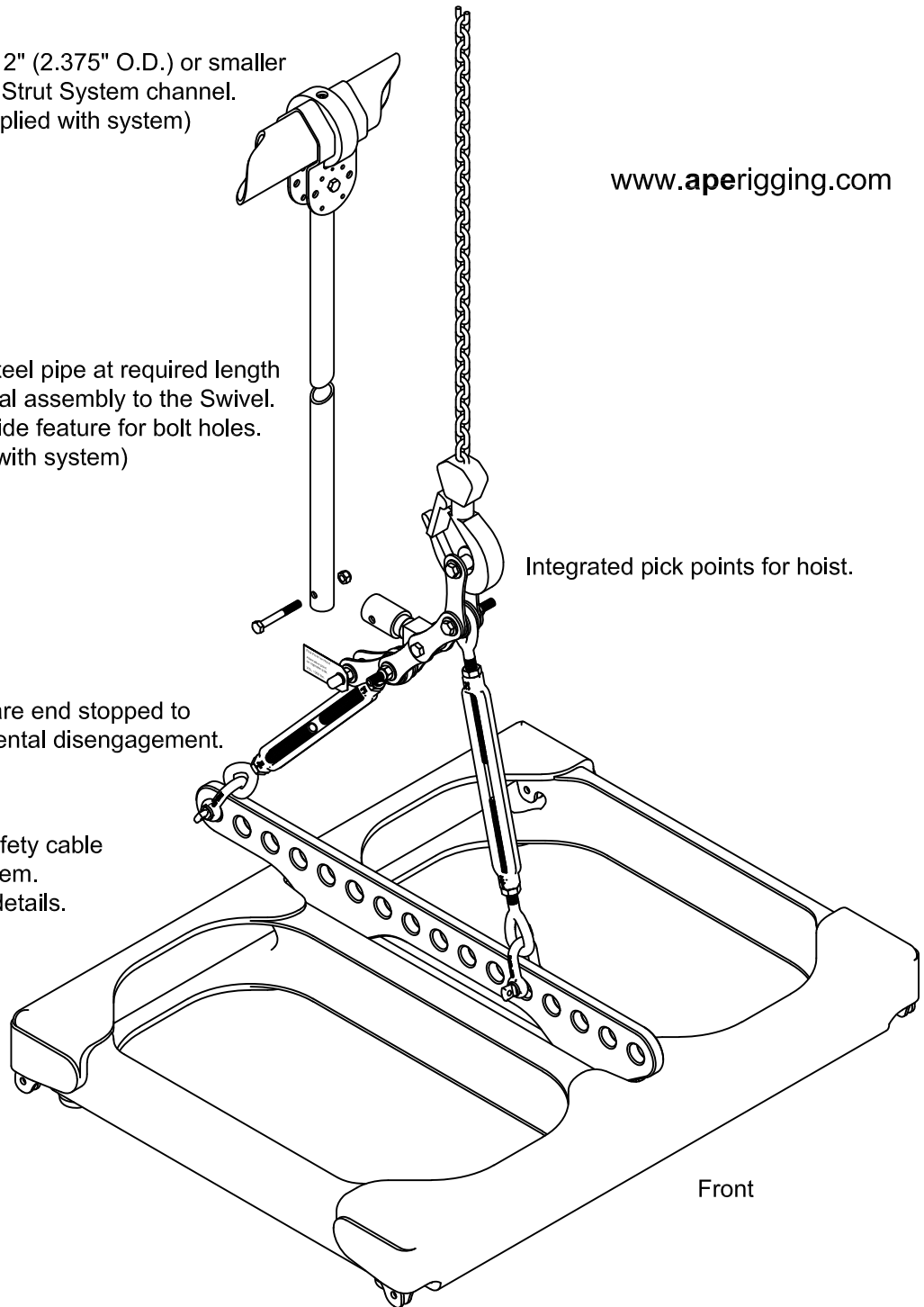
Working Load Limit 1000 lbs. with a minimum safety factor of 7  
The distance between the shackle pins must not exceed 20 inches.  
The stem assembly needs to be directly above the CG of the array.  
Verify that the bumper has adequate attachment points to allow this.

Gimbal assembly accepts 2" (2.375" O.D.) or smaller steel pipe size, as well as Strut System channel. (pipe and channel not supplied with system)

3/4" schedule 40 steel pipe at required length connects the Gimbal assembly to the Swivel. Gimbal has drill guide feature for bolt holes. (pipe not supplied with system)

Turnbuckles are end stopped to prevent accidental disengagement.

A tensioning assembly for safety cable is also included with this system. See product instructions for details.



System requires two suspension points on the bumper that are positioned along the centerline similar to those shown.