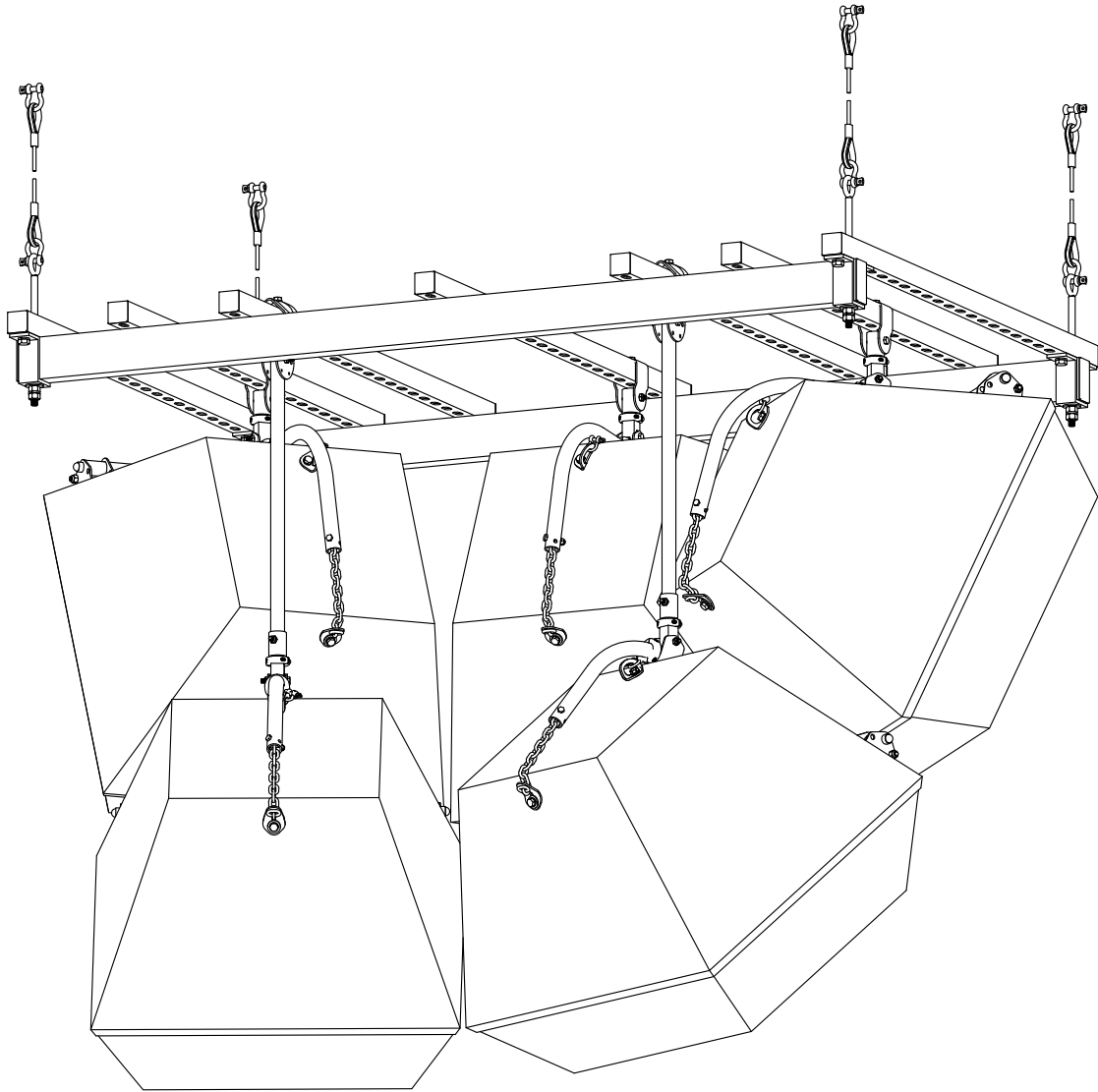


Advantage Products Enterprise, Inc.



Advantage Products Enterprise, Inc.
561-741-8126
www.aperigging.com

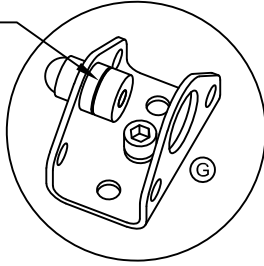
Single-point, fully adjustable Loudspeaker Rigging

Interfaces with user provided Unistrut Channel, or channel grids as illustrated above.

Dealer Price List effective January 1, 2018

Please Note: This is a generic assembly detail for our APE Hanger™ System. Our other Systems share the same stem assembly and installation methodology. Refer to the APE Hanger™ installation [Video](#) that is linked to our homepage at www.aperigging.com

Reference Line



APE Hanger™ System

Patent US 8,126,184 B2

Instructions

(A)

Gimbal option G3 (one of six options available)
Use the Drill Guide feature to drill bolt holes in component "B".
With pipe against end stop, drill into pipe from each side.
Discard the cotter pin and four 1/4" cap screws after use.
See the proper use of the Drill Guide @ www.aperigging.com "Speaker Install..." [Video](#).

(B)

User provided 3/4" schedule 40 steel Pipe, 1.05" O.D.
Available at plumbing supply. This is NOT thin wall conduit.
See user prepare pipe for install @ www.aperigging.com "Speaker Install..." [Video](#).

(C)

Tilt Traveler and Swivel Assembly
Its position on the Axial Tube sets the tilt (vertical) angle.
The Swivel sets the pan (horizontal) angle, loosen collar to turn.

(D)

Two piece clamp-on Collars
They retain the position of the Tilt Traveler assembly.
Orient Collars as shown with the cap screw heads to the side.

(E)

Axial Tube
This tube should not touch the cabinet when suspended.

(F)

Rotation Traveler
Its position on the Transverse Tube sets the rotation angle about the acoustic axis. Level is 0° rotation.

(G)

Cabinet Bracket
Reference line on cylinders indicate the minimum length of the Transverse Tube when installed with one end firmly against one of the Cabinet Brackets.

(H)

Transverse Tube
A hole thru one end provides a path for the socket head cap screw when installing the second Cabinet Bracket.

(I)

Drive Screw
Adjusts the position of the Rotation Traveler.

(J)

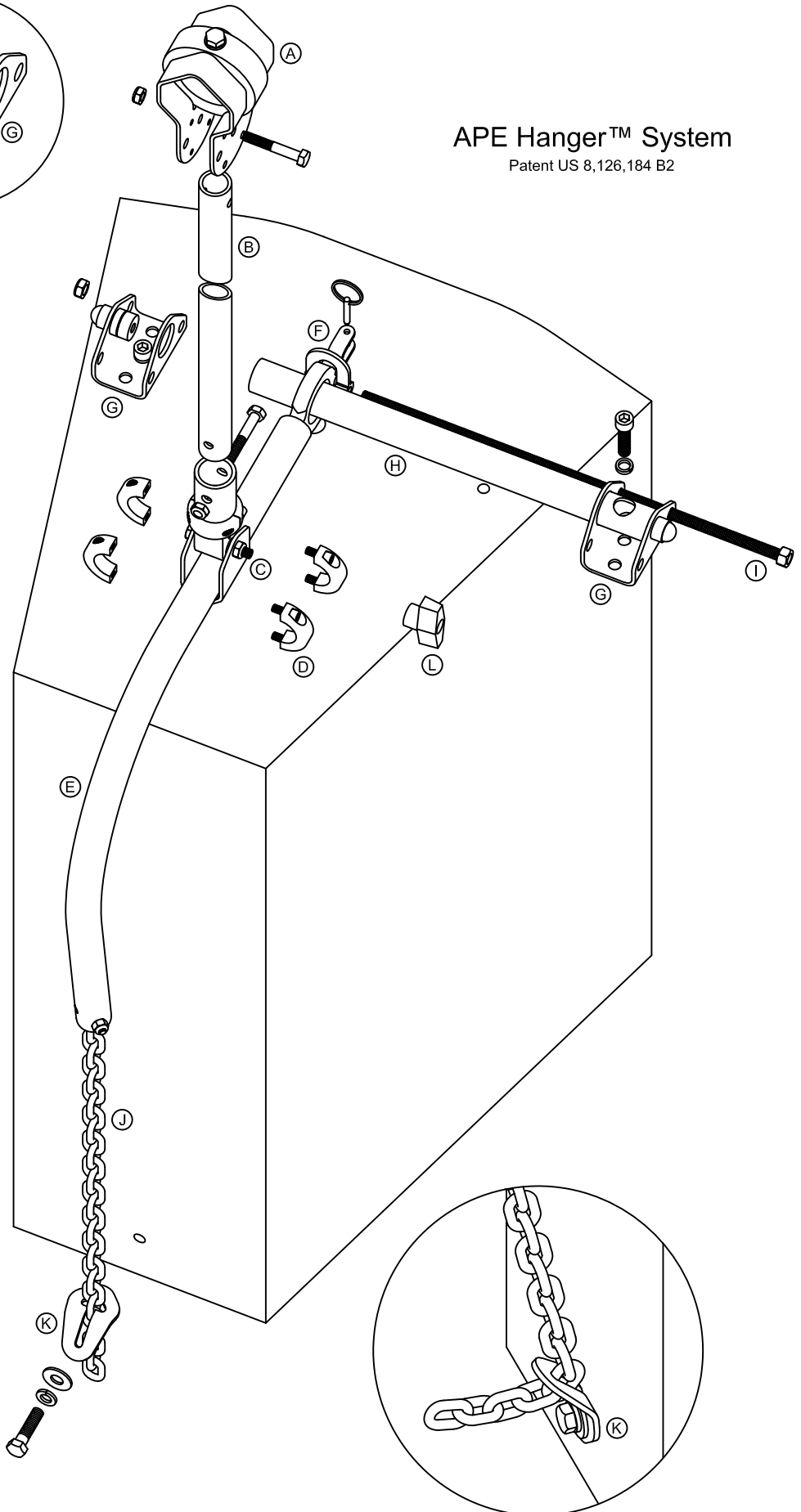
Chain (part of the Rotation Traveler assembly)
Adjust its length using component "K" to allow passage of the Tilt Traveler assembly and Collars between the Axial Tube and the loudspeaker cabinet.

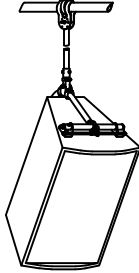
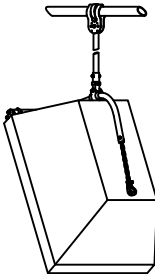
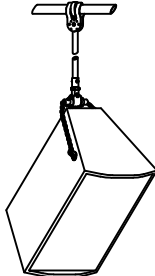
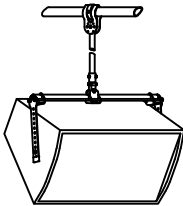
(K)

CHAIN Monkey™ adjuster/termination for 7/32" Chain
Position on Chain as described above.

(L)

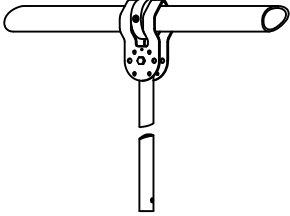
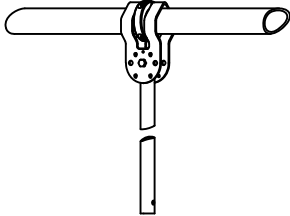
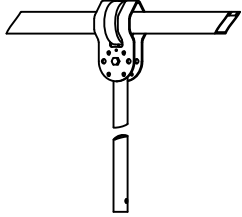
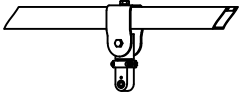
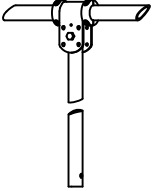
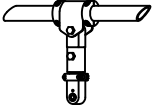
Accessory_Tee handle
Review the video @ www.aperigging.com "watch an installation" link to see the application.
Attaches to the excess threads on the Tilt Traveler bolt.
Do not remove the locknut that was previously installed.




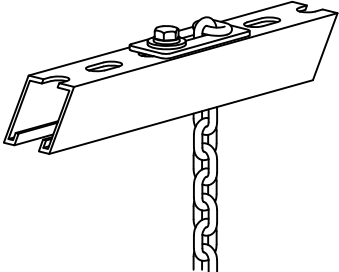
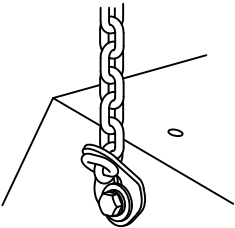
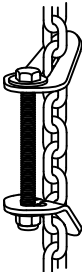
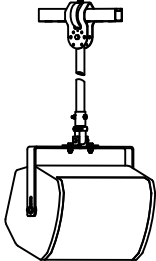
MODEL	DIAGRAM	DESCRIPTION	LIST	DEALER
Single-Point, adjustable loudspeaker SYSTEMS				
AH 9/8-83-B		<p>APE Hanger™ System Axial tube with 83° included angle for cabinets with a square intersection of top and back panels. Black powder coat finish.</p> <p>Refer to next page for G option selection, one included. Refer to CS below for extended System description.</p>	541.00	406.00
AH 9/8-100-B		<p>APE Hanger™ System Axial tube with 100° included angle for cabinets with a non-square intersection of top and back panels. Black powder coat finish.</p> <p>Refer to next page for G option selection, one included. Refer to CS below for extended System description.</p>	541.00	406.00
CMS3-B		<p>CHAIN Monkey™ System S3 User adjustable to three loudspeaker rigging points. Can be configured for two or four points, refer to note 4. Black powder coat finish.</p> <p>Refer to next page for G option selection, one included.</p>	373.00	279.00
UT-B		<p>U Tube™ System For suspending U bracket compatible loudspeakers. Can be configured for other loudspeakers, refer to note 4. Black powder coat finish.</p> <p>Refer to next page for G option selection, one included. Refer to CS below for extended System description.</p>	421.00	316.00
UT-W		Same as above but with white side plates. ***will be discontinued after current inventory is sold***		
CS		Cabinet Specific - Refer to note 2, 3 and 4 below.	66.00	50.00

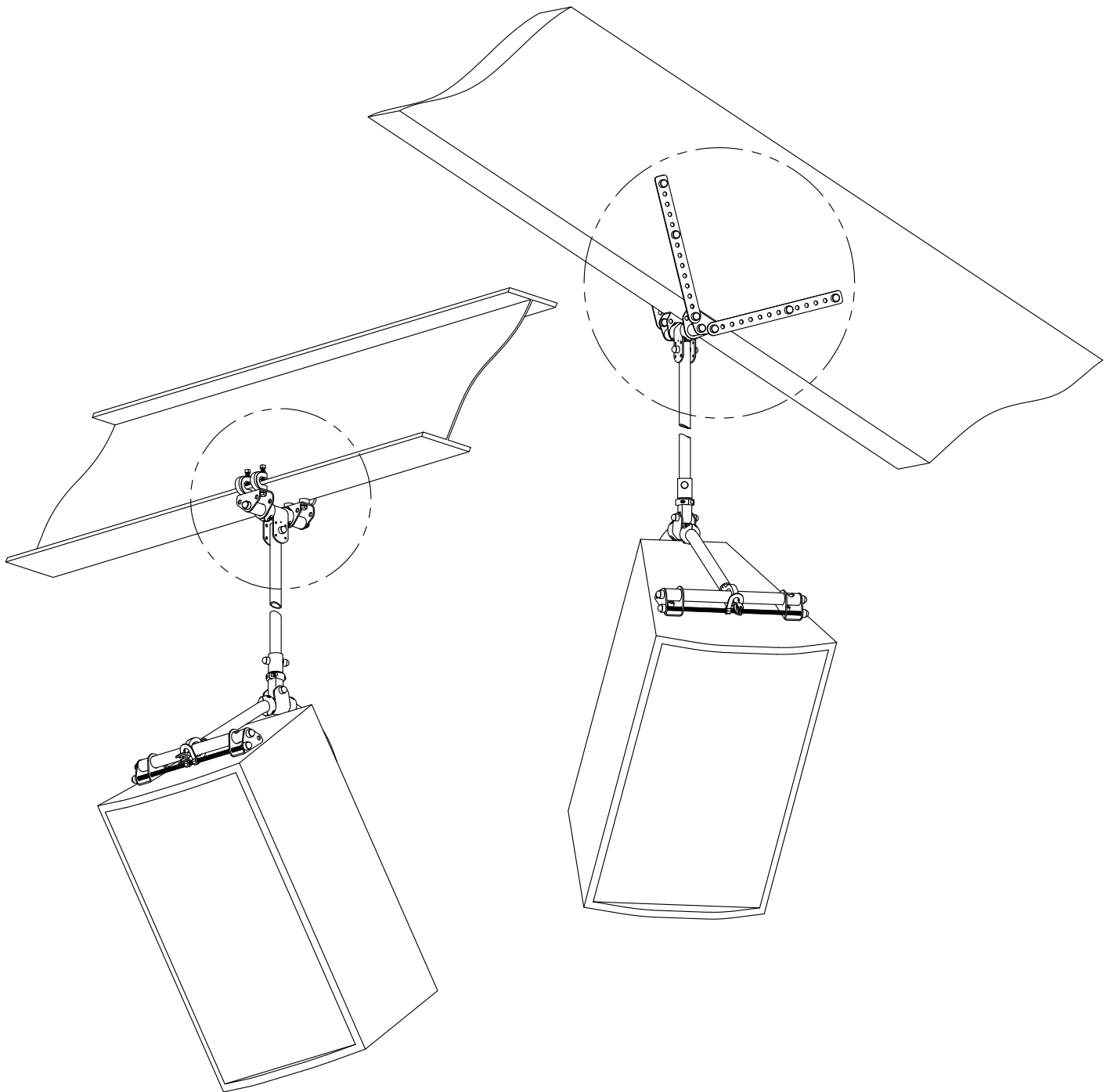
Please Note:

1. PRIOR TO ORDERING, please supply the information outlined on our Quotes page. This will ensure that the most appropriate hardware is selected for your application.
2. The APE Hanger™ and U Tube™ pricing is for the generic hardware set. The CS charge is for configuring the generic set to fit the specified loudspeaker.
3. Rigging point placement on loudspeakers varies with manufacturer. Additional hardware may be required to configure our standard systems for some loudspeaker models. Please contact us before ordering.
4. The CS charge amount is variable, it may go up or down on our quote based on the content of note 3 above. Please contact us for a quote before attempting to place an order.
5. Custom Systems are available.

MODEL	DIAGRAM	DESCRIPTION	DEALER
OPTIONS WITH PURCHASE OF SYSTEM ON PAGE S1			
G1-B		Drill Guide/Gimbal with set screw collar for 1 1/2" Pipe Other collars sizes available to fit horizontal spanning members that are pipe sizes other than 1 1/2" NPS. Black powder coat finish.	Included in base price of System. All Systems require a G assembly. Specify one G option per System. Custom assemblies are available.
G2-B		Drill Guide/Gimbal with split collar for 1 1/2" Pipe Use when collar cannot be slid on the pipe from one end. Other collars sizes available to fit horizontal spanning members that are pipe sizes other than 1 1/2" NPS. Black powder coat finish.	No additional charge. Refer to info at top of column.
G3-B		Drill Guide/Gimbal for 1 5/8" square Strut System Channel (Unistrut or similar product) Black powder coat finish.	No additional charge. Refer to info at top of column.
G4-B		Swivel Hanger for 1 5/8" square Strut System Channel Use when 3/4" vertical pipe stem is not required. Use G3 with stem. Use G4 for close connection, no stem. Black powder coat finish. Deep version is also available for 3 1/4" Strut channel.	No additional charge. Refer to info at top of column.
G5-B		Drill Guide/Gimbal for the 1 1/8" tube used in our RATs™ * Black powder coat finish.	No additional charge. Refer to info at top of column.
G6-B		Gimbal for the 1 1/8" tube used in our RATs™ * Includes a swivel adapter that eliminates the pipe stem. Black powder coat finish.	No additional charge. Refer to info at top of column.

* RATs™ Rigging Attachment Techniques - Refer to our website for spec sheets.

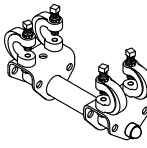
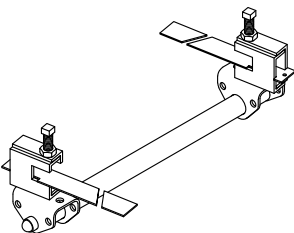
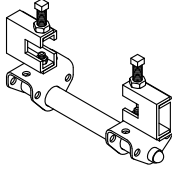
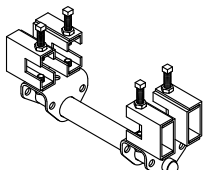
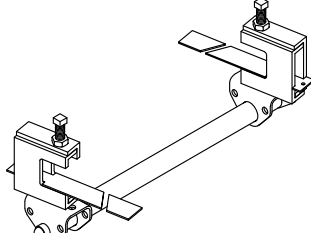
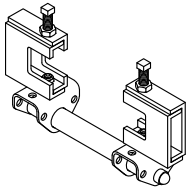
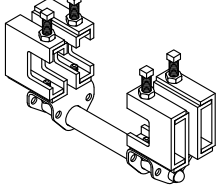
MODEL	DIAGRAM	DESCRIPTION	LIST	DEALER	
				each	
CHAIN AND CHAIN Monkey™ alternative to wire rope assemblies					
C.22GR8		<p>Grade 80 Alloy Chain 7/32" (5.5mm) For use with the fittings below. Black painted finish, priced per foot.</p> <p>More information @ www.aperigging.com/downloads.htm "CHAIN Monkey™ Hardware"</p>	6.64	4.98	
CMSCA		<p>CHAIN Monkey™ SC Assembly for Strut Channel Direct connection of our chain to Strut System Channel like Unistrut P1000T or other manufacturer's equal.</p> <p>More information @ www.aperigging.com/downloads.htm "CHAIN Monkey™ Hardware"</p>	9.46	7.10	
CMF-__		<p>CHAIN Monkey™ Fitting with fastener Adjust and fasten chain to loudspeaker with one fitting. Also used for attachment to other fixtures, beams etc. Add thread size after dash for complete part number i.e. -3/8, -M10 etc.</p> <p>More information @ www.aperigging.com/downloads.htm "CHAIN Monkey™ Hardware"</p>	9.46	7.10	
CMF-T		<p>CHAIN Monkey™ Tensioner Used to equalize tension on four point hangs. Two point and three point hangs do not require tensioner.</p> <p>More information @ www.aperigging.com/downloads.htm "CHAIN Monkey™ Hardware"</p>	20.46	15.35	
ADAPTERS					
ADPT-UT-ZNL		<p>Adapter version of our U Tube™ System Can be used with SOME small factory yokes to create an adjustable single-point suspension system. Zinc plated</p> <p>Refer to page S2 for G option selection, one included.</p>	273.90	205.70	



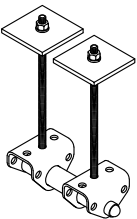
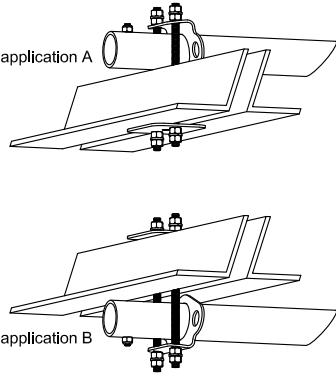
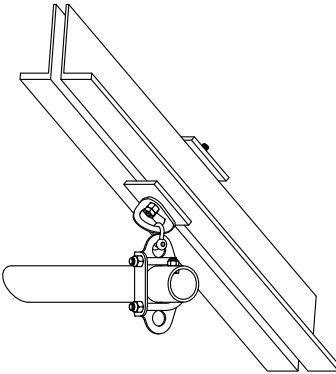
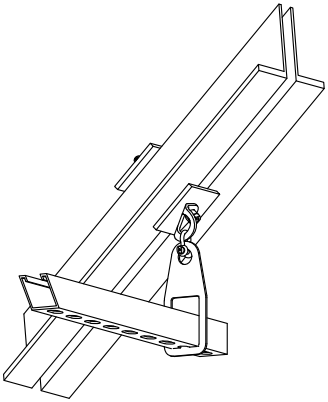
Advantage Products Enterprise, Inc.
561-741-8126

www.aperigging.com

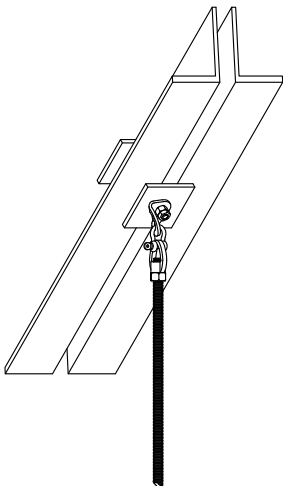
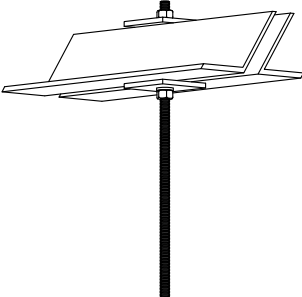
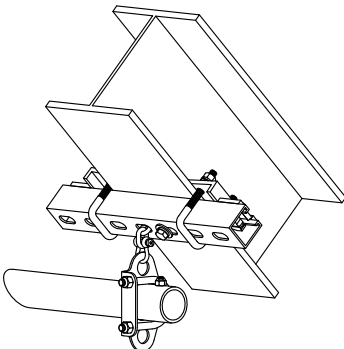
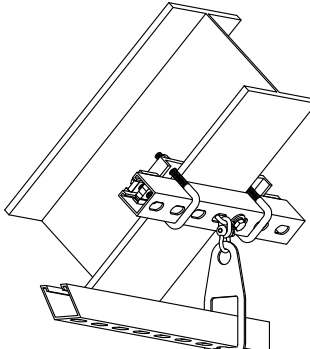
RATs™ (Rigging Attachment Techniques)
Dealer Price List effective January 1, 2018

MODEL	DIAGRAM	DESCRIPTION	LIST	DEALER
RATs™ (Rigging Attachment Techniques)				
RAT 1-1B		For attachment to bottom flange of I beams or similar configuration with flange width 4 13/16" or wider. Flange thickness capacity 11/16" <u>For use on horizontal or inclined beams.</u> Use with the G5 or G6 options for our speaker systems. Black powder coat finish**. Refer to the RAT™ 1-1 spec sheet for more detail.	105.60	79.20
RAT 2-1B		For attachment to bottom flange of I beams or similar configuration with flange width less than 5". The Tube assembly is installed diagonally across the bottom flange. Flange thickness capacity 3/4" <u>For use on horizontal beams only.</u> Use with the G5 or G6 options for our speaker systems. Black powder coat finish**. Refer to the RAT™ 2-1 spec sheet for more detail.	192.50	144.10
RAT 2-2B		For attachment to bottom flange of I beams or similar configuration with flange width 5" or wider. Flange thickness capacity 13/16" <u>For use on horizontal beams only.</u> Use with the G5 or G6 options for our speaker systems. Black powder coat finish**. Refer to the RAT™ 2-2 spec sheet for more detail.	167.20	125.40
RAT 2-3B		For attachment to bottom flange of I beams or similar configuration with flange width 5 3/16" or wider. Flange thickness capacity 13/16" <u>For use on horizontal or inclined beams.</u> Use with the G5 or G6 options for our speaker systems. Black powder coat finish**. Refer to the RAT™ 2-3 spec sheet for more detail.	223.30	167.20
CU		Clamp Upgrade - replace standard clamps with those that have 1/2" set screw	33.00	25.00
RAT 3-1B		For attachment to bottom flange of I beams or similar configuration with flange width less than 5 5/16". The Tube assembly is installed diagonally across the bottom flange. Flange thickness capacity 1 9/16" <u>For use on horizontal beams only.</u> Use with the G5 or G6 options for our speaker systems. Black powder coat finish**. Refer to the RAT™ 3-1 spec sheet for more detail.	258.50	193.60
RAT 3-2B		For attachment to bottom flange of I beams or similar configuration with flange width 5 5/16" or wider. Flange thickness capacity 1 5/8" <u>For use on horizontal beams only.</u> Use with the G5 or G6 options for our speaker systems. Black powder coat finish**. Refer to the RAT™ 3-2 spec sheet for more detail.	234.30	176.00
RAT 3-3B		For attachment to bottom flange of I beams or similar configuration with flange width 5 9/16" or wider. Flange thickness capacity 1 5/8" <u>For use on horizontal or inclined beams.</u> Use with the G5 or G6 options for our speaker systems. Black powder coat finish**. Refer to the RAT™ 3-3 spec sheet for more detail.	392.70	294.80

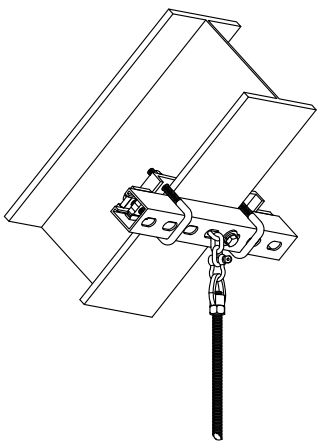
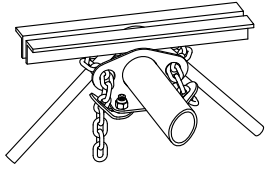
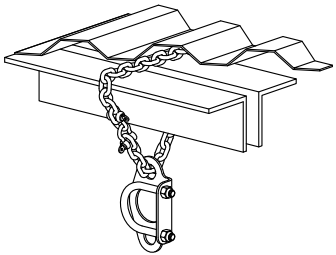
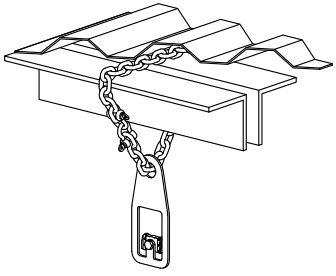
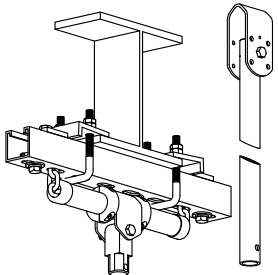
** Tube assembly only, remainder is zinc plated

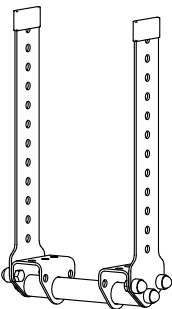
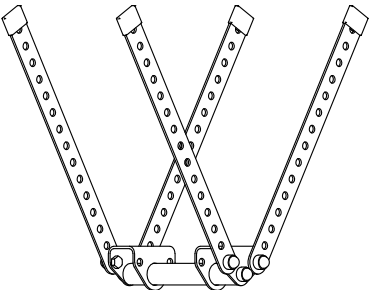
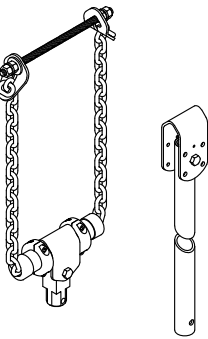
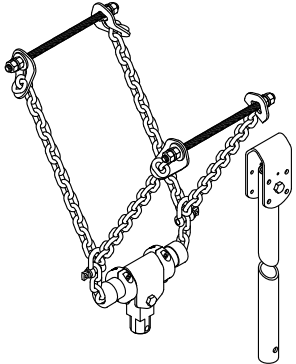
MODEL	DIAGRAM	DESCRIPTION	LIST	DEALER
RATs™ (Rigging Attachment Techniques)				
RAT 4-1B		For attachment thru bottom chord of steel truss, 7 1/4" capacity. Gap in bottom chord must be at least 3/8" and <u>must not exceed 1 1/2"</u> For use on horizontal or inclined trusses. May require lateral support rigging when used on steeply inclined trusses. Use with the G5 or G6 options for our speaker systems. Black powder coat finish**. Refer to the RAT™ 4-1 spec sheet for more detail.	89.10	67.10
RAT 4-2B		RAT 4-1 tube assembly, no mounting hardware, black	66.00	49.50
RAT 5-1ZP		For (A) securing or (B) suspending 1 1/2" pipe from the bottom chord of a truss, 7" capacity. For use on horizontal or inclined trusses. May require lateral support rigging when used on steeply inclined trusses. Gap in bottom chord must be at least 3/8" and <u>must not exceed 1 1/2"</u> Zinc plated finish. Refer to the RAT™ 5-1 spec sheet for more detail.	36.30	27.50
RAT 6-1ZP		For suspending 1 1/2" pipe from the bottom chord of a truss, 7" capacity. For use on horizontal or inclined trusses. May require lateral support rigging when used on steeply inclined trusses. Gap in bottom chord must be at least 3/8" and <u>must not exceed 1 1/2"</u> Zinc plated finish. Refer to the RAT™ 6-1 spec sheet for more detail.	67.10	50.60
RAT 6-2ZP		For suspending 1 5/8" square Strut System channel from the bottom chord of a truss, 7" capacity. For use on horizontal or inclined trusses. May require lateral support rigging when used on steeply inclined trusses. Gap in bottom chord must be at least 3/8" and <u>must not exceed 1 1/2"</u> Zinc plated finish. Refer to the RAT™ 6-2 spec sheet for more detail.	74.80	56.10

** Tube assembly only, remainder is zinc plated

MODEL	DIAGRAM	DESCRIPTION	LIST	DEALER
RATs™ (Rigging Attachment Techniques)				
RAT 6-3ZP		For suspending 1/2" Threaded Rod from the bottom chord of a truss, 7" capacity For use on horizontal or inclined trusses. May require lateral support rigging when used on steeply inclined trusses. Gap in bottom chord must be at least 3/8" and <u>must not exceed 1 1/2"</u> Zinc plated finish. Refer to the RAT™ 6-3 spec sheet for more detail.	51.70	38.50
RAT 7-1ZP		For suspending 1/2" Threaded Rod from the bottom chord of a truss. For use on horizontal trusses only. Gap in bottom chord must be at least 1/2" and <u>must not exceed 1 1/2"</u> Zinc plated finish. Refer to the RAT™ 7-1 spec sheet for more detail.	20.90	15.40
RAT 8-1GN		For suspending 1 1/2" pipe from the bottom flange of an I beam or similar configuration, 3/4" flange thickness capacity. For use on horizontal or inclined beams. May require lateral support rigging when used on steeply inclined trusses. Green powder coat finish**. Refer to the RAT™ 8-1 spec sheet for more detail.	132.00	99.00
-TF1		Thick Flange 1 - flange thickness 3/4" thru 1 9/16"	183.70	137.50
-TF2		Thick Flange 2 - flange thickness 1 9/16" thru 2 1/8"	189.20	141.90
RAT 9-1GN		For suspending 1 5/8" square Strut System channel from the bottom flange of an I beam or similar configuration, 3/4" flange thickness capacity. For use on horizontal or inclined beams. May require lateral support rigging when used on steeply inclined trusses. Green powder coat finish**. Refer to the RAT™ 9-1 spec sheet for more detail.	133.10	100.10
-TF1		Thick Flange 1 - flange thickness 3/4" thru 1 9/16"	185.90	139.70
-TF2		Thick Flange 2 - flange thickness 1 9/16" thru 2 1/8"	190.30	143.00

** Channel assembly only, remainder is zinc plated

MODEL	DIAGRAM	DESCRIPTION	LIST	DEALER
RATs™ (Rigging Attachment Techniques)				
RAT 10-1GN		<p>For suspending 1/2" Threaded Rod from the bottom flange of an I beam or similar configuration, 3/4" flange thickness capacity. <u>For use on horizontal or inclined beams.</u> May require lateral support rigging when used on steeply inclined beams. Green powder coat finish**. Refer to the RAT™ 10-1 spec sheet for more detail.</p>	114.40	85.80
-TF1		Thick Flange 1 - flange thickness 3/4" thru 1 9/16"	167.20	125.40
-TF2		Thick Flange 2 - flange thickness 1 9/16" thru 2 1/8"	171.60	128.70
RAT 11-1ZP		<p>For attaching 1 1/2" pipe at the apex of the web members on a truss. <u>For use on horizontal or inclined trusses.</u> 2' Chain Assembly standard. Zinc plated finish. Refer to the RAT™ 11-1 spec sheet for more detail.</p>	47.30	35.20
-EL3		Extend Length 3 - extends the standard 2' grade 80 chain assembly to 3'	52.80	39.60
-EL4		Extend Length 4 - extends the standard 2' grade 80 chain assembly to 4'	61.60	46.20
RAT 12-1ZP		<p>For suspending 1 1/2" pipe from almost any structural member. Excellent for top chord truss connection between corrugations of metal decking. <u>For use on horizontal or inclined trusses and beams.</u> Requires fixed lateral restraint or restraint rigging when used on inclined beams. 2' Chain Assembly standard. Zinc plated finish. Refer to the RAT™ 12-1 spec sheet for more detail.</p>	67.10	50.60
-EL3		Extend Length 3 - extends the standard 2' grade 80 chain assembly to 3'	75.90	57.20
-EL4		Extend Length 4 - extends the standard 2' grade 80 chain assembly to 4'	82.50	61.60
RAT 13-1ZP		<p>For suspending 1 5/8" Strut System channel from almost any structural member. Excellent for top chord truss connection between corrugations of metal decking. <u>For use on horizontal or inclined trusses and beams.</u> Requires fixed lateral restraint or restraint rigging when used on inclined beams. 2' Chain Assembly standard. Zinc plated finish. Refer to the RAT™ 13-1 spec sheet for more detail.</p>	70.40	52.80
-EL3		Extend Length 3 - extends the standard 2' grade 80 chain assembly to 3'	79.20	59.40
-EL4		Extend Length 4 - extends the standard 2' grade 80 chain assembly to 4'	84.70	63.80
RAT 14-1		<p>For structural members with opposing flanges. <u>For use on horizontal or inclined beams.</u> Use with the G5 or G6 options for our speaker systems. G6 shown in illustration at left, G5 (and pipe stem) shown separately. Refer to the RAT™ 14-1 spec sheet for more detail.</p>	168.30	126.50

MODEL	DIAGRAM	DESCRIPTION	LIST	DEALER
RATs™ (Rigging Attachment Techniques)				
RAT W1-B		For attachment to wood or concrete structural beams. For use on horizontal or inclined beams <u>provided the side plates are installed vertically.</u> Use with the G5 or G6 options for our speaker systems. Black powder coat finish. Refer to the RAT™ W1 spec sheet for more detail.	162.80	122.10
RAT W1-W		White powder coat. ***will be discontinued after current inventory is sold***		
RAT W2-B		For attachment to wood or concrete structural beams. For use on horizontal or inclined beams. Use with the G5 or G6 options for our speaker systems. Black powder coat finish. Refer to the RAT™ W2 spec sheet for more detail.	174.90	130.90
RAT W2-W		White powder coat. ***will be discontinued after current inventory is sold***		
RAT W1C		For attachment to wood or concrete structural beams. For use on horizontal or inclined beams. Use with the G5 or G6 options for our speaker systems. G6 shown in illustration at left, G5 (and pipe stem) shown separately. Refer to the RAT™ W1C spec sheet for more detail.	162.80	122.10
RAT W2C		For attachment to wood or concrete structural beams. For use on horizontal or inclined beams. Use with the G5 or G6 options for our speaker systems. G6 shown in illustration at left, G5 (and pipe stem) shown separately. Refer to the RAT™ W2C spec sheet for more detail.	174.90	130.90