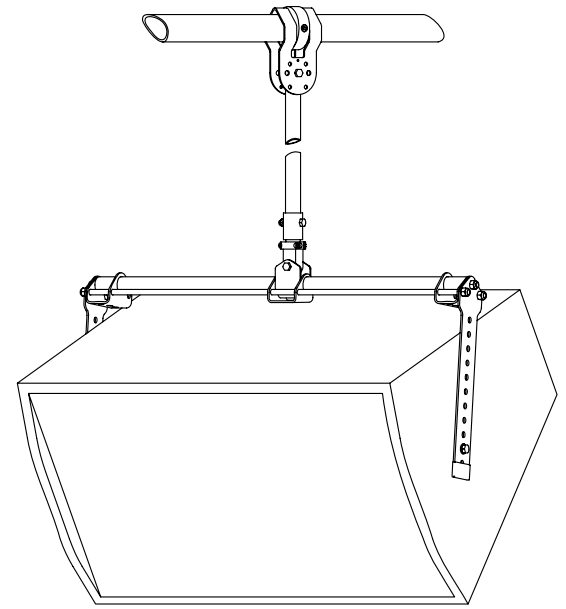


## U Tube™



- Suspends U bracket compatible speakers
- Adjustable pick-up point compensates for speaker imbalance
- Pan, Tilt and Rotation adjustable...*on the fly*
- CTF version is not cabinet specific and therefore a *quick ship* item
- Patent Pending

### DESCRIPTION

The U Tube™ is an adjustable speaker rigging system for U bracket compatible speakers. An adjustable pick-up point compensates for any speaker imbalance allowing the suspension stem to remain vertical. It is used in conjunction with user-provided schedule 40 steel pipe and/or steel framing systems like Unistrut.

This combination creates a system that is flexible, safe, fast and affordable.

Because it is a single point system, it is far less time consuming to make the structural connection amidst the jungle of other building elements like conduit, duct work, sprinklers and ceiling support systems.

The U Tube provides *on the fly* adjustability of Pan, Tilt and Rotation angles, even after installation. This is a great advantage when last minute adjustments to aiming angles are required. It also alleviates the need to know precise aiming angles prior to installation.

The U Tube™ allows much more preparation to be done in the controlled environment of your facility instead of the frequently chaotic conditions of a construction site. Speakers can be transported to the job site in their shipping boxes, with the System attached, then literally hoisted out of their box and into position. Even the tilt angle can be adjusted prior to delivery. Utilizing these features decreases installation time, protects equipment from damage and decreases the opportunity for theft.

### A & E SPECIFICATIONS

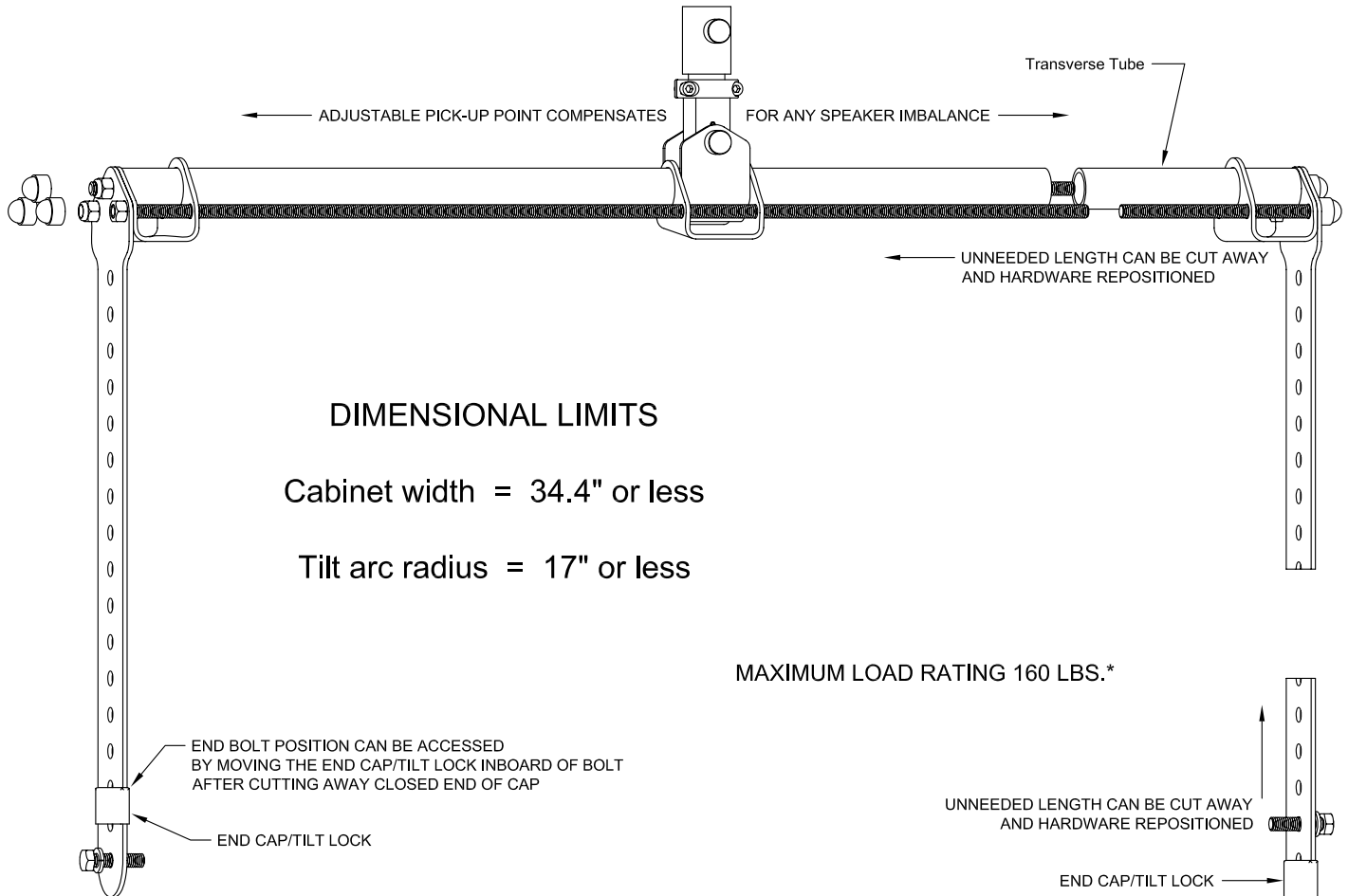
The speaker suspension system shall be single-point and three axis adjustable, Pan-Tilt-Rotate. All adjustments shall remain available after installation without removing the speaker from its location. Its machined components shall be AISI 1045 medium carbon steel. Its sheet metal components shall be ASTM A-1011 HSLAS grade 50. Its tube component shall be ASTM A 513 Type 5 DOM steel. All cap screws shall be grade 5 minimum.

All published load ratings shall be established by destructive testing.

The system shall be fitted to the speaker in strict accordance with the manufacturer's instructions.

The system shall be a U Tube™ by Advantage Products Enterprise, Inc.

# U Tube™ - CTF (cut to fit)



\* The load rating was established by limiting the deflection of the Transverse Tube to less than 1/240 of its length. The yield point of the Transverse Tube, the point at which the deflection starts to become a permanent bend, is at least 3 times the load rating. A total failure of the system is at least 7 times the load rating.

**NOTE:**  
The Transverse Tube freely rotates within its supporting assembly, automatically compensating for any front to back speaker imbalance.

**NEVER EXCEED THE MAXIMUM LOAD RATING!**