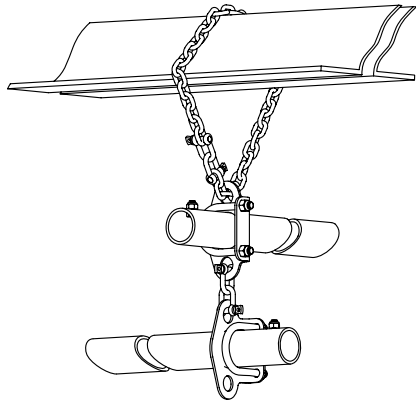
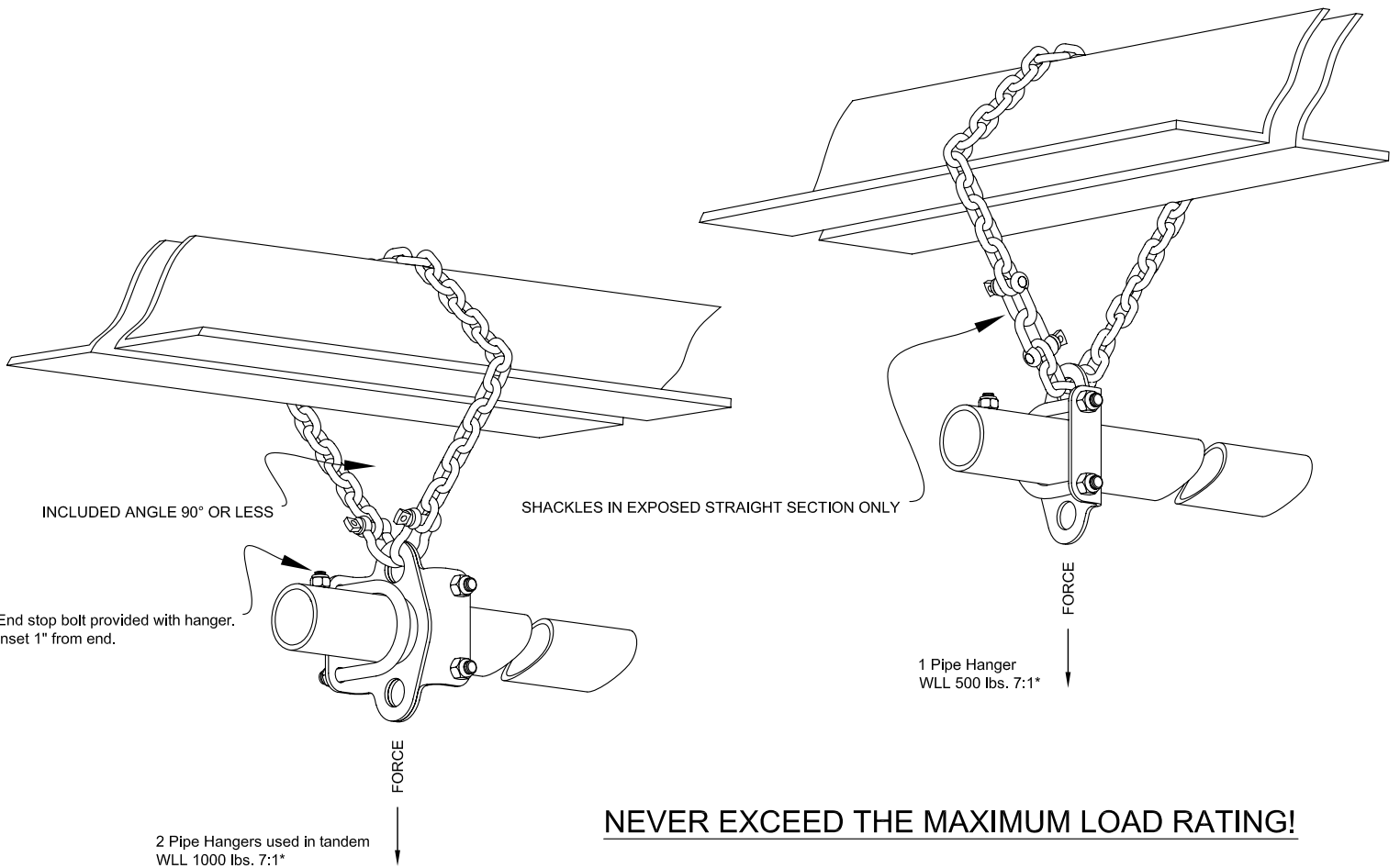
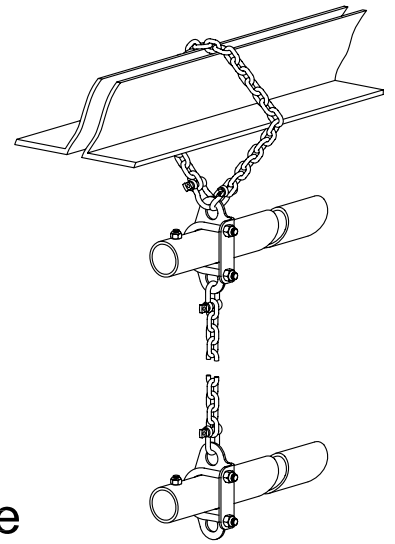


Advantage Products Enterprise, Inc.
Single Point Suspension for Pro Audio speaker installation



www.aperigging.com

Pipe Hanger for 1 1/2" steel pipe



NEVER EXCEED THE MAXIMUM LOAD RATING!

FAST, RELIABLE CONNECTIONS TO ANY STRUCTURAL MEMBER

- Top or bottom chord of trusses (chain easily fits between corrugations of metal decking)
- I Beams (even those cluttered with conduit etc. inhibiting the use of beam clamps)
- Rectangular or round tubes
- Z Purlins
- Allows nonperpendicular junctions of pipe and structural member
- For use with our 7/32" Grade 80 chain assemblies

*For Pipe Hanger only.

WLL for chain and shackles is at least that shown for Pipe Hanger.
 Safety factor for chain and shackles varies with manufacturer.