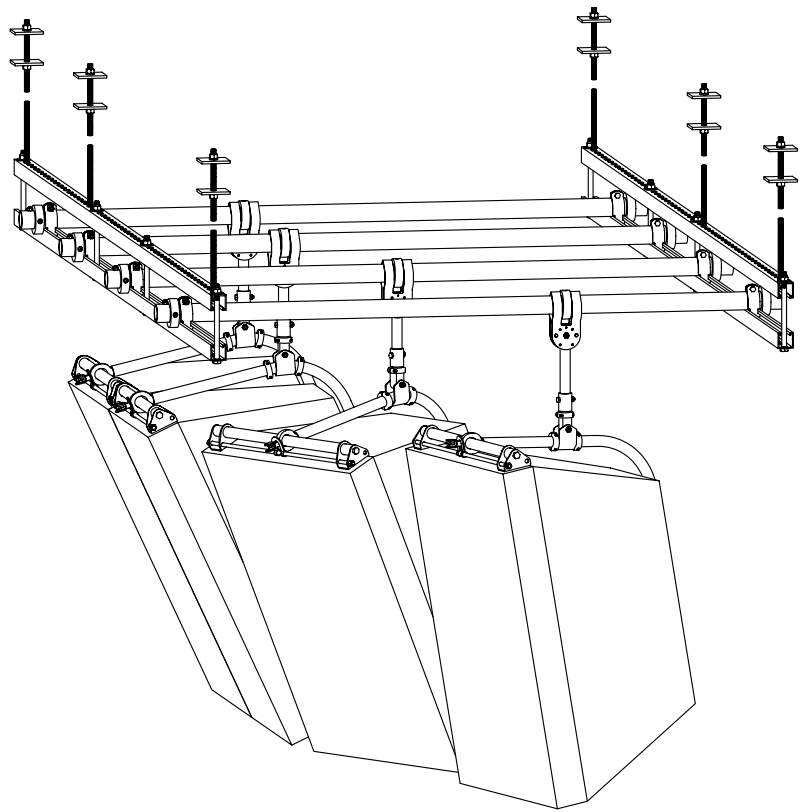
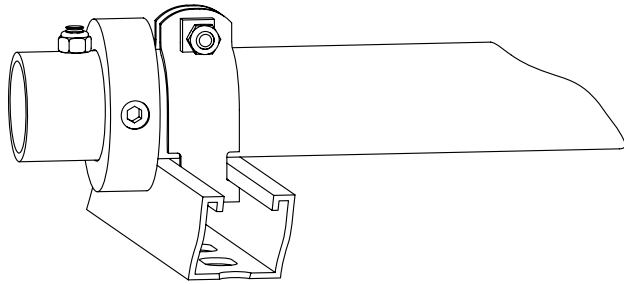
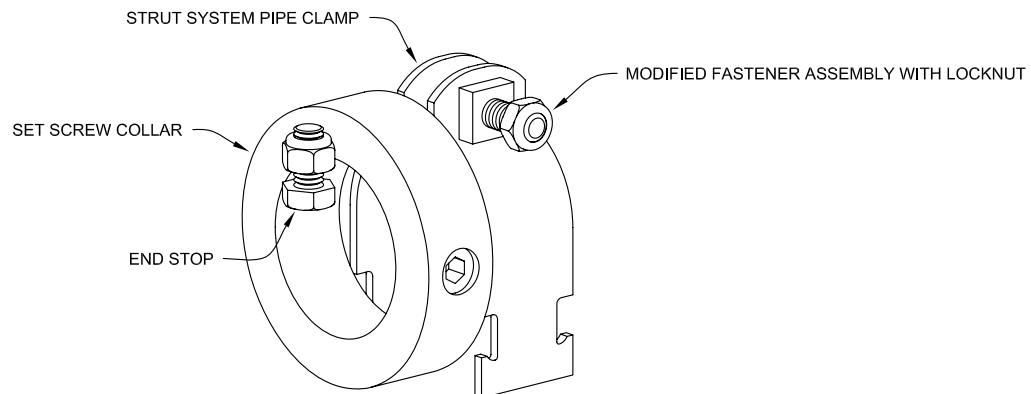


www.aperigging.com



Channel Interface assembly for an adjustable connection of steel pipe to Strut System channel



The Channel Interface provides a reliable connection between the pipe and channel while still allowing the pipe position to be safely adjusted. The adjustment is made by loosening the clamp and rolling the pipe, with speaker attached, to the desired location. This feature allows the pipe and speaker assembly to be manipulated from one end, negating the need for a second person on the opposite end to facilitate adjustment. A locknut installed on the clamp bolt prevents the clamp halves from separating while adjusting. After final adjustments, the locknut should be tightened against the square nut to prevent loosening. The rolling adjustment of the pipe along with the ability to adjust the Gimbal's position, using a push/pull clamp or mini chain puller, provides *on-the-fly* XY positioning of the speaker.