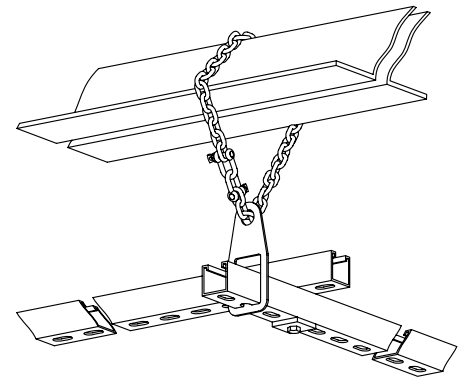
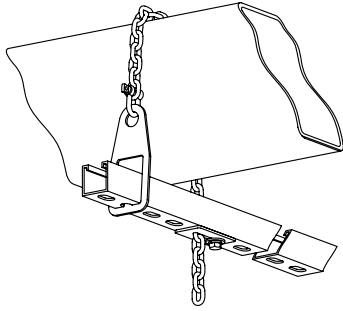
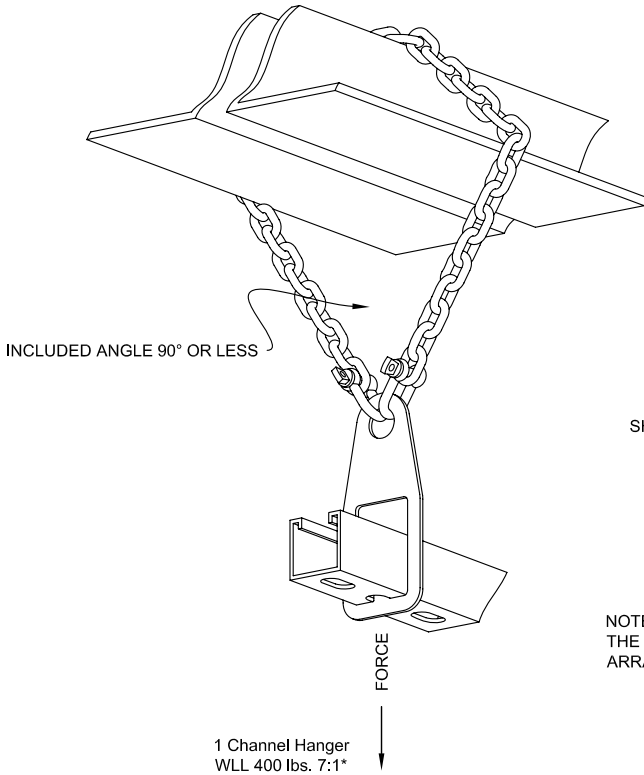


www.aperigging.com



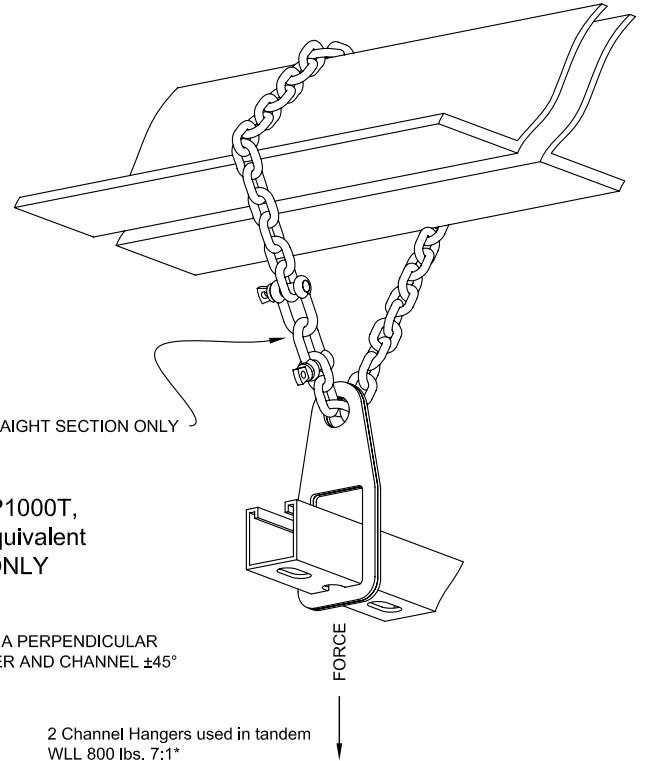
Channel Hanger for 1 5/8" Strut System channel



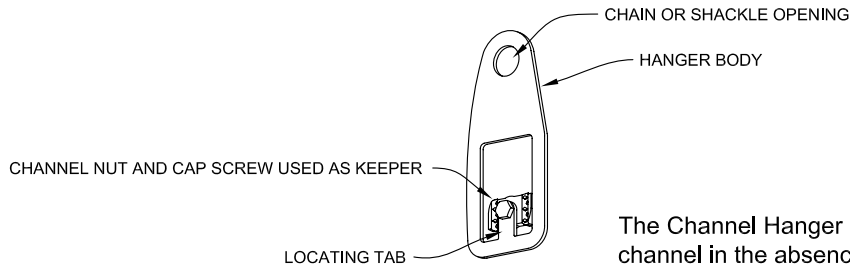
SHACKLES IN EXPOSED STRAIGHT SECTION ONLY

Use with Unistrut P1000T,
B-Line B22SH or equivalent
12ga. channel ONLY

NOTE:
THE LOAD RATING APPLIES TO A PERPENDICULAR
ARRANGEMENT OF THE HANGER AND CHANNEL ±45°



NEVER EXCEED THE MAXIMUM LOAD RATING!



The Channel Hanger maintains an upright orientation of the channel in the absence of lateral bracing.

FAST, RELIABLE CONNECTIONS TO ANY STRUCTURAL MEMBER

- Top or bottom chord of trusses (chain easily fits between corrugations of metal decking)
- I Beams (even those cluttered with conduit etc. inhibiting the use of beam clamps)
- Rectangular or round tubes
- Z Purlins
- Allows nonperpendicular junctions of channel and structural member
- For use with our 7/32" Grade 80 chain assemblies