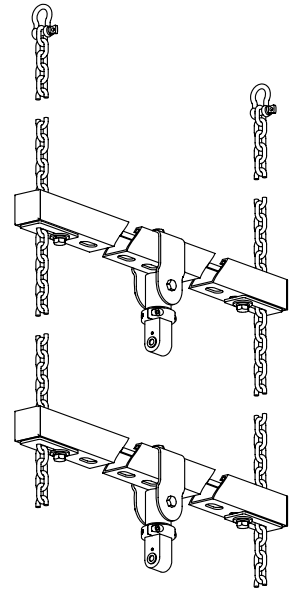
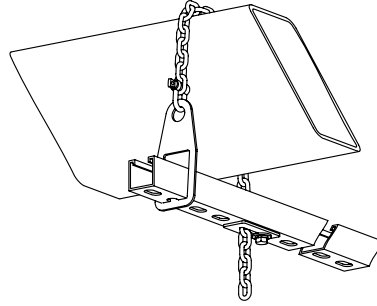
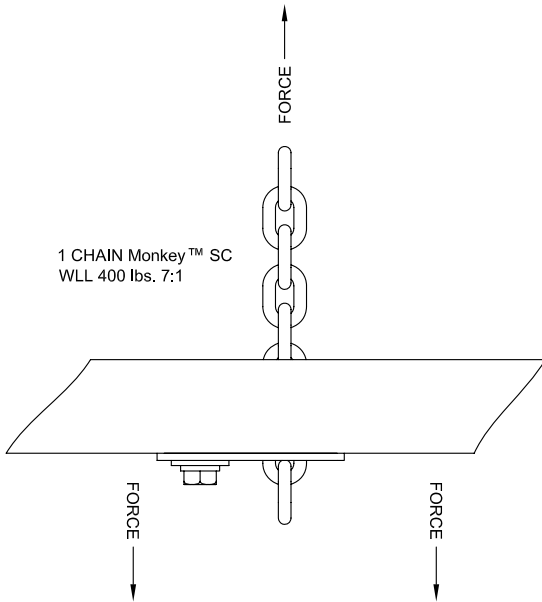


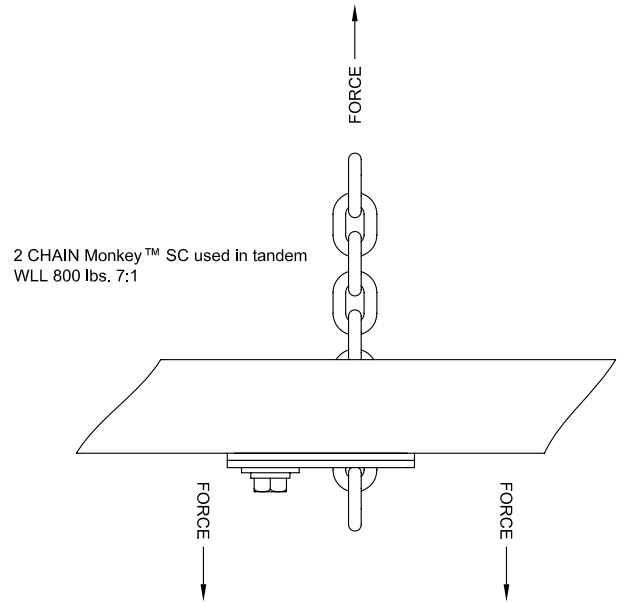
[www.aperigging.com](http://www.aperigging.com)



## CHAIN Monkey™ SC chain grab fitting for Strut System channel



1 CHAIN Monkey™ SC  
WLL 400 lbs. 7:1



2 CHAIN Monkey™ SC used in tandem  
WLL 800 lbs. 7:1

The CHAIN Monkey™ SC must only be used in framing configurations that inhibit the twisting of the channel. This includes lateral bracing, a connection that holds the channel firmly against the structural member, the APE Channel Hanger or a rigid underhung load attachment as shown at the top right of this page. The CHAIN Monkey™ SC must be installed such that the chain pulls it toward the web of the channel as illustrated. Refer to Strut System manufacturer's catalog for load tables and technical data.

